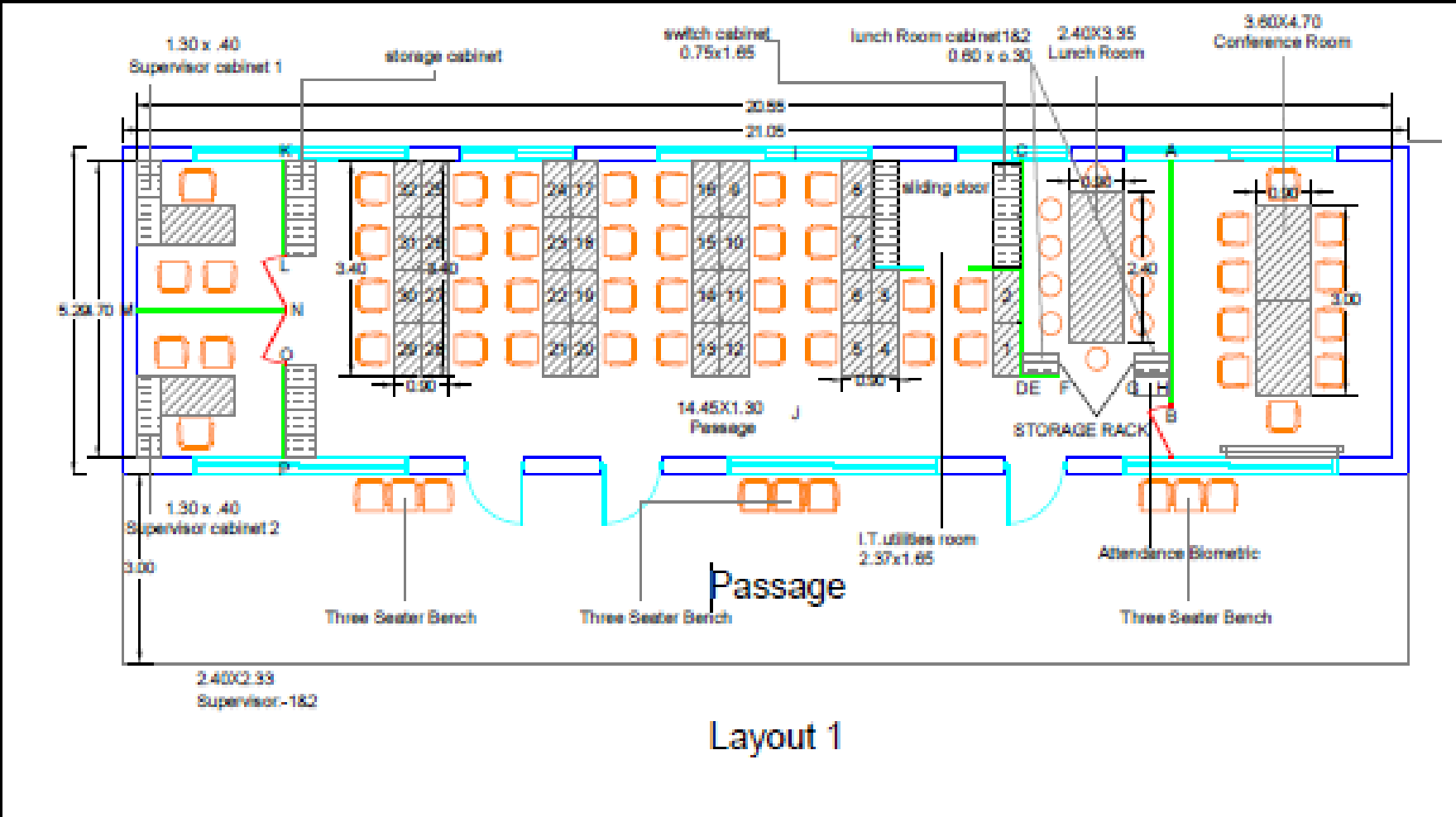


ANNEXURE :-B

LAYOUT PLAN

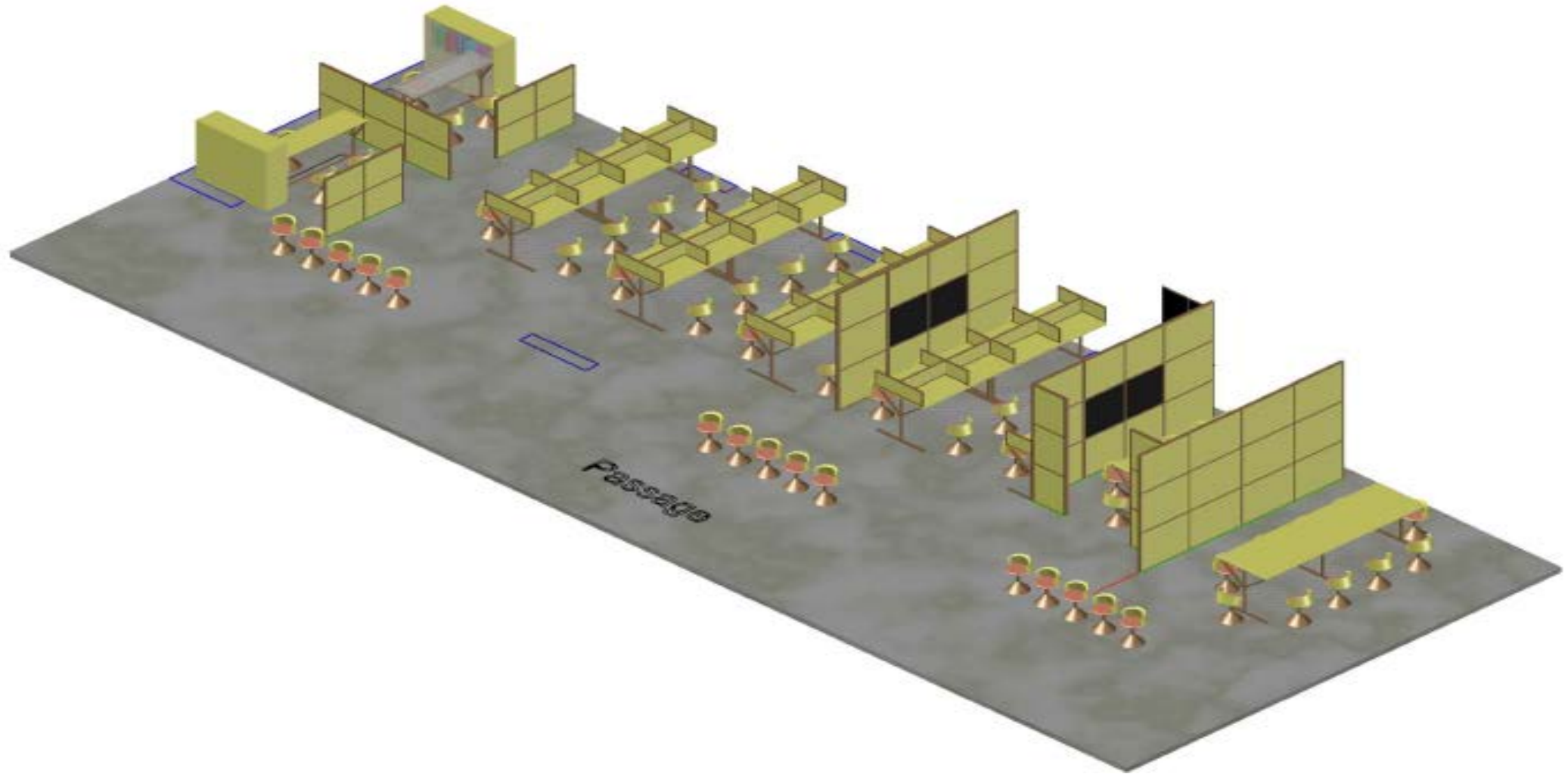


Layout 1

Call Center Layout For Gil
Second Floor,Block No:-2
Karmayogi Bhavan
Gandhinagar

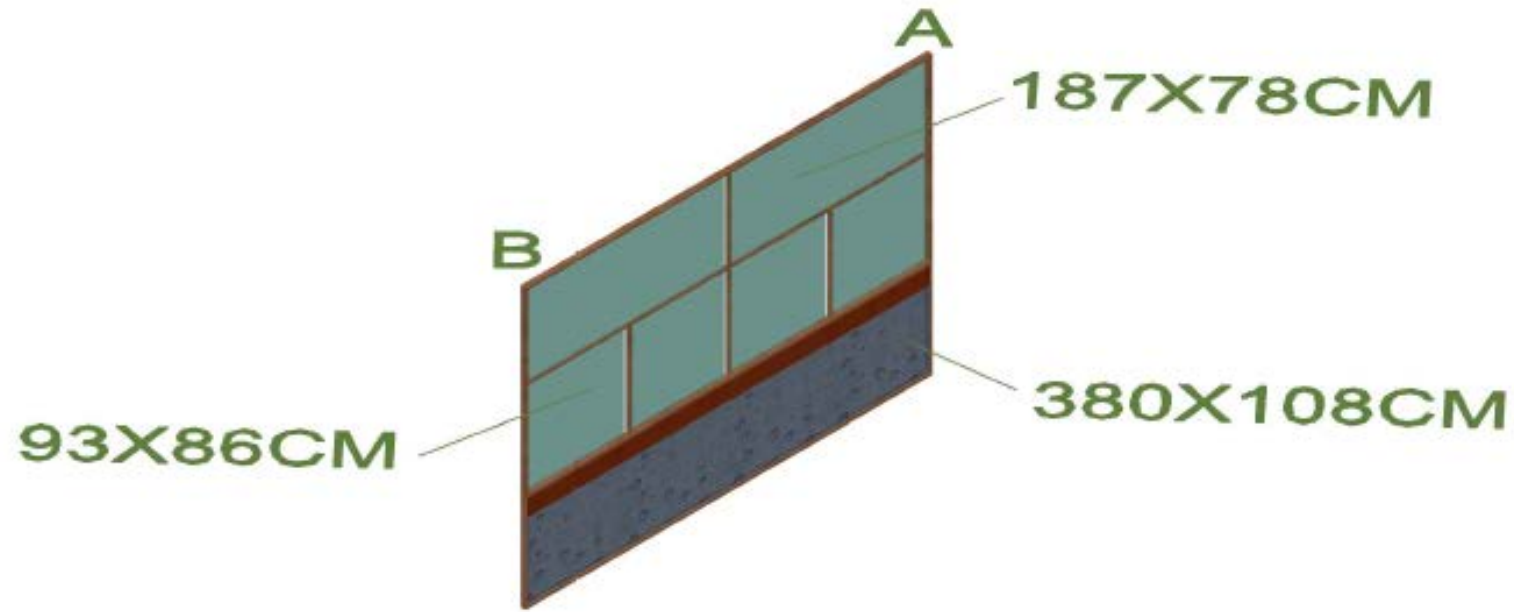
Indicative Drawing
 Not To Scale.

Furniture details For Call Center at Karmayogi Bhawan



Furniture details For Call Center at Karmayogi Bhawan

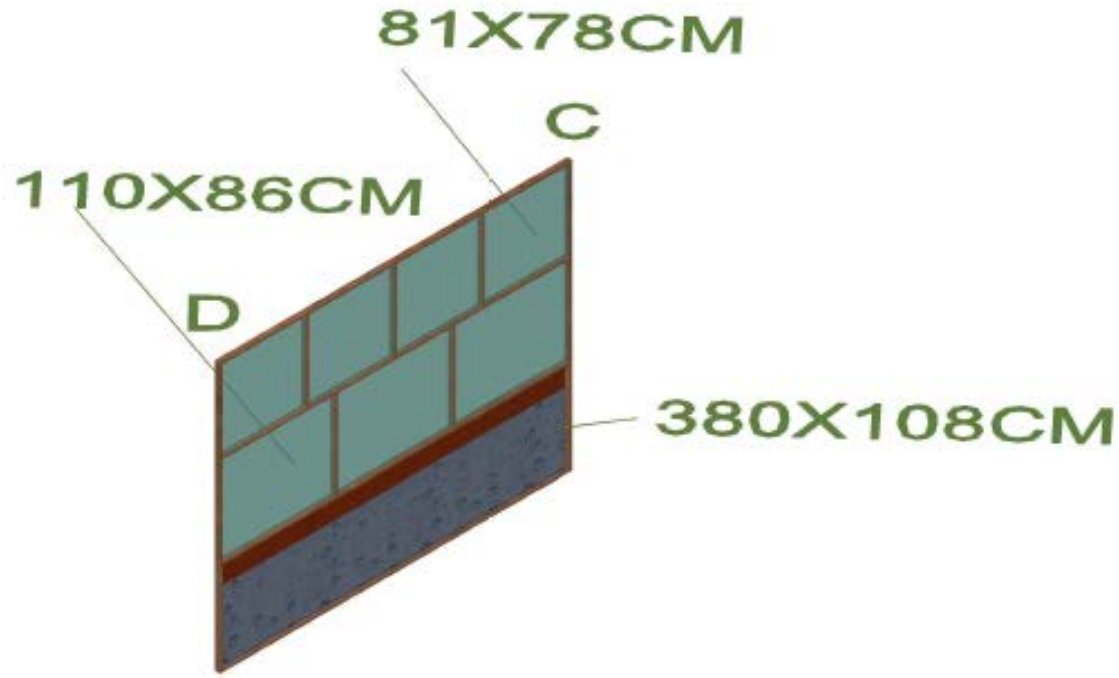
3D LAYOUT



Partition
size
380X260CM

Furniture details For Call Center at Karmayogi
Bhawan

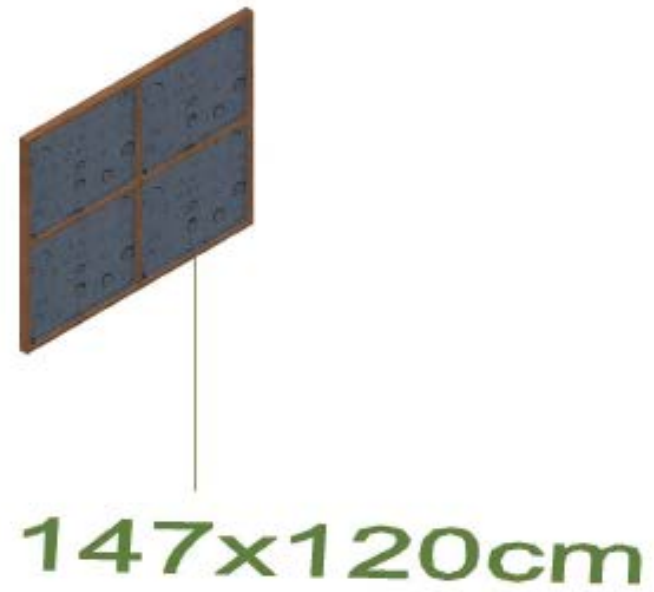
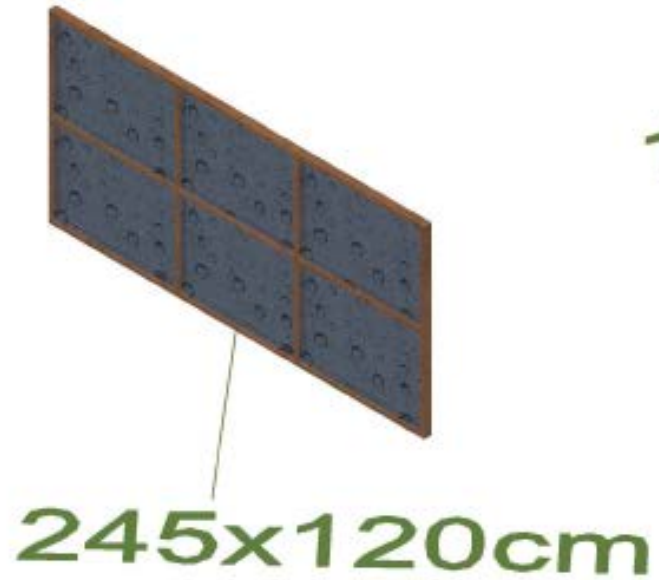
Partition details Item no:-2



Partition
size
320X260CM

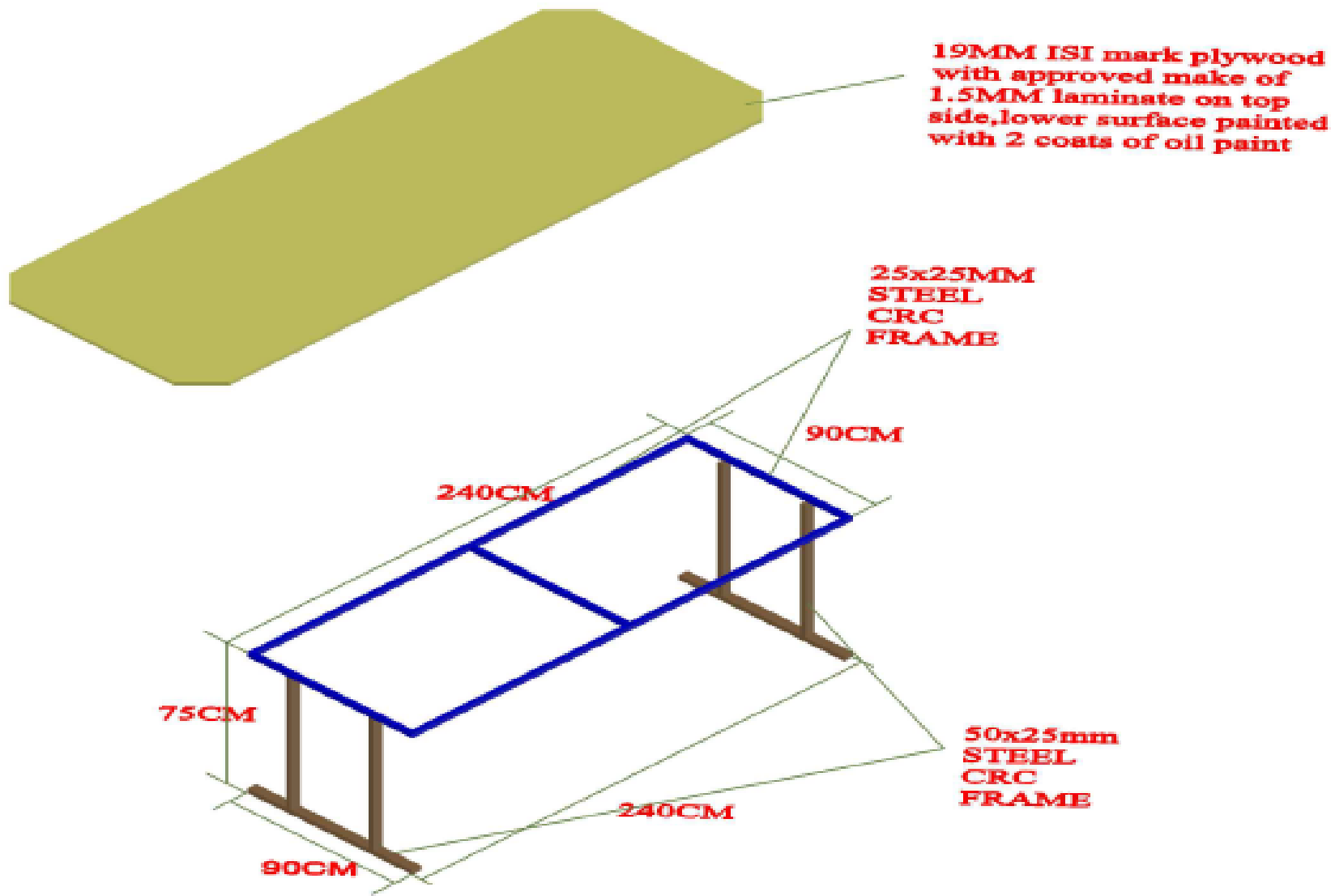
Furniture details For Call Center at Karmayogi
Bhawan

Partition Details Item no:-2



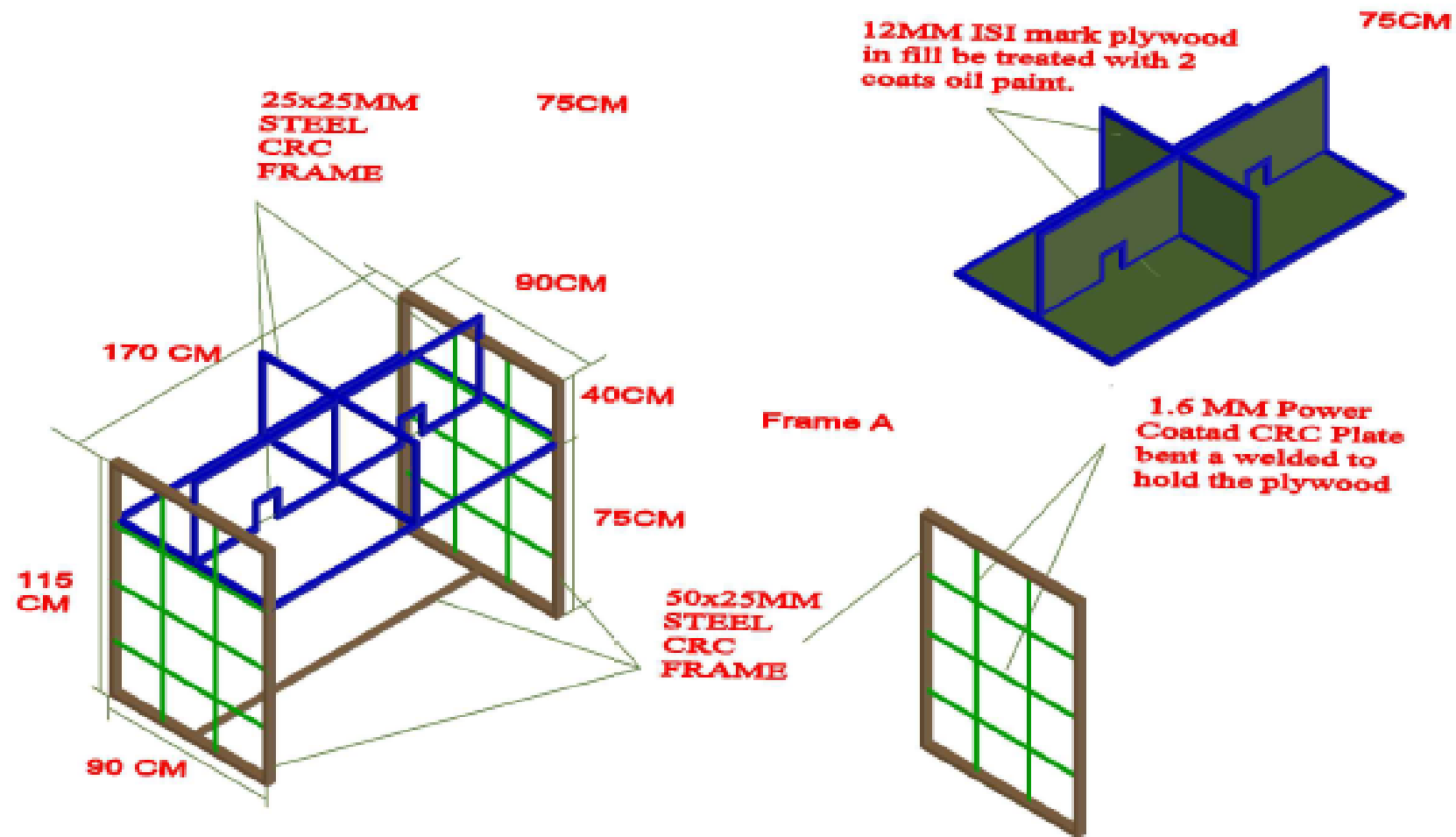
Furniture details For Call Center at Karmayogi Bhawan

Partition Details Item no:-1



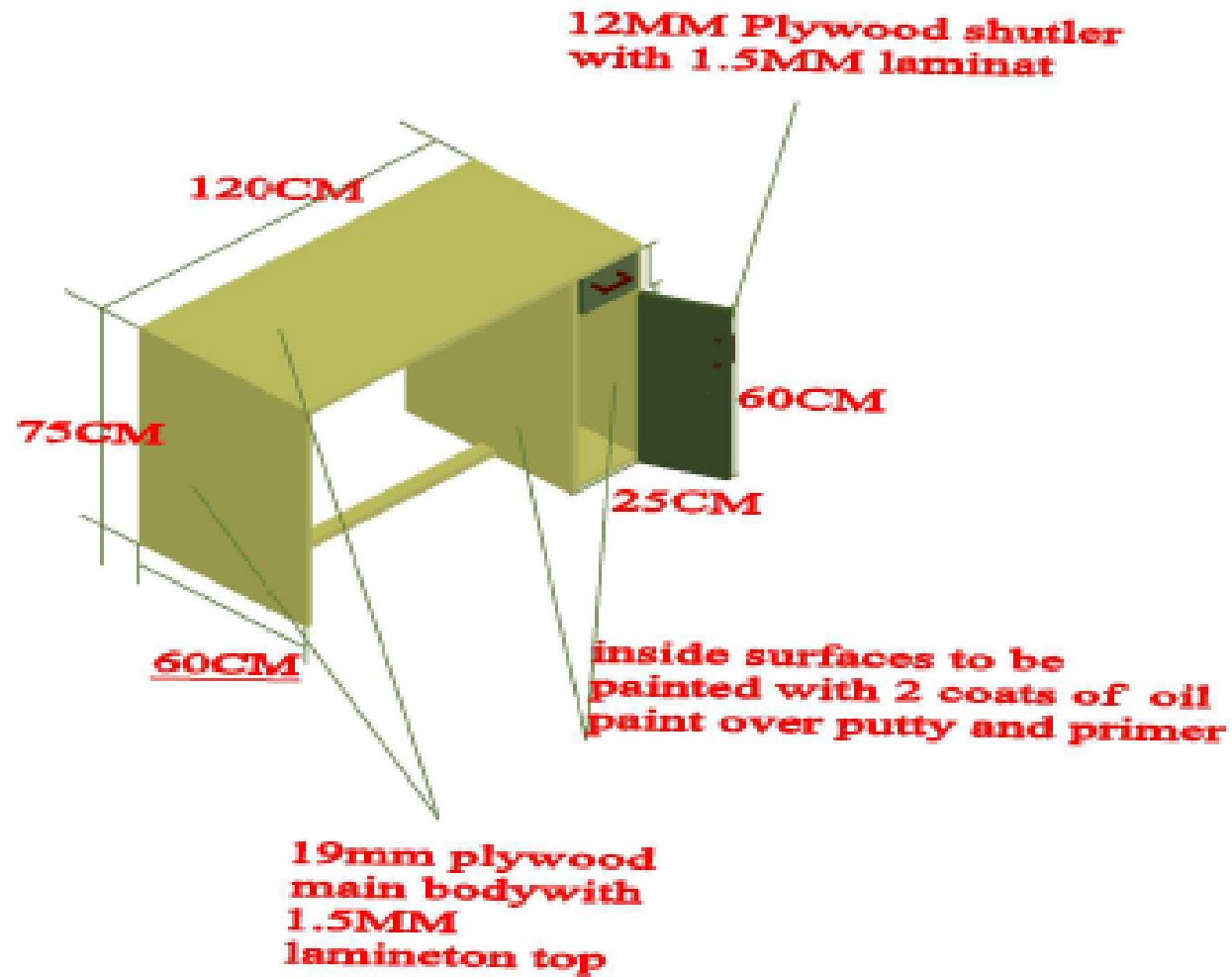
Furniture Details For Call Center at Karmayogi Bhawan

Lunch room Table–Item no:-17



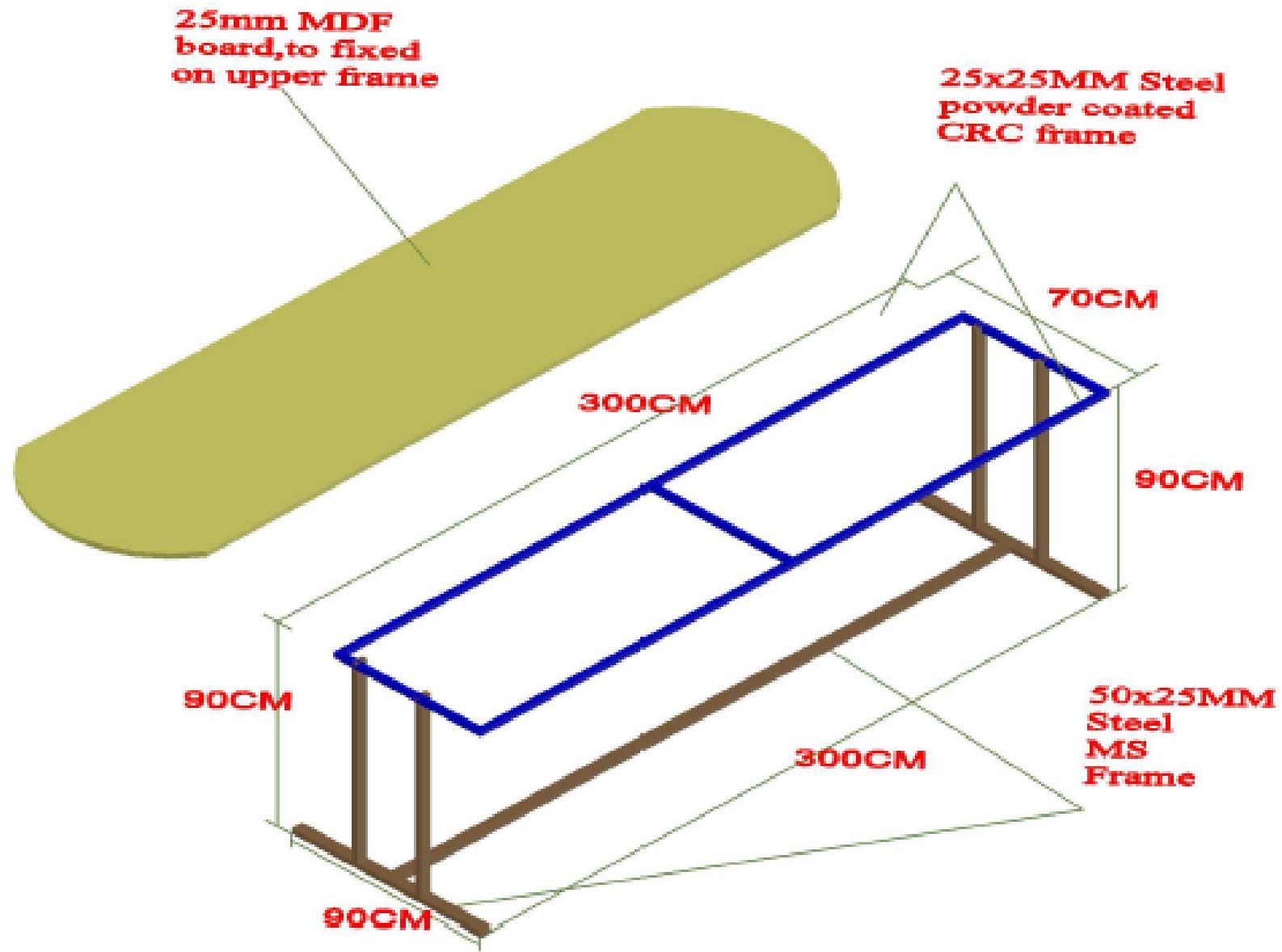
Furniture Details For Call Center at Karmayogi Bhawan

Computer Table – Item no:-4



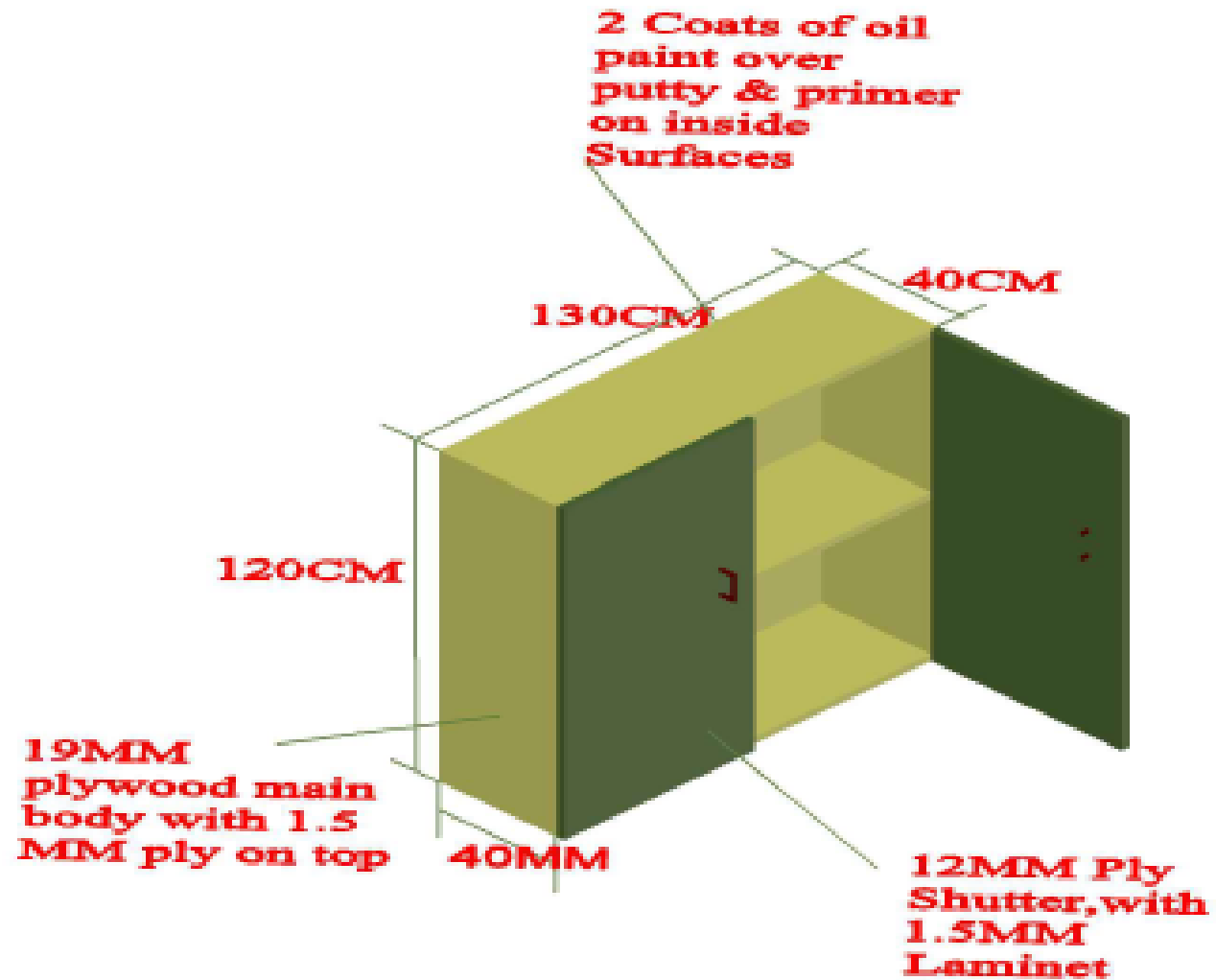
Furniture details For Call Center at Karmayogi Bhawan

Supervisor's Table-Item no:-9



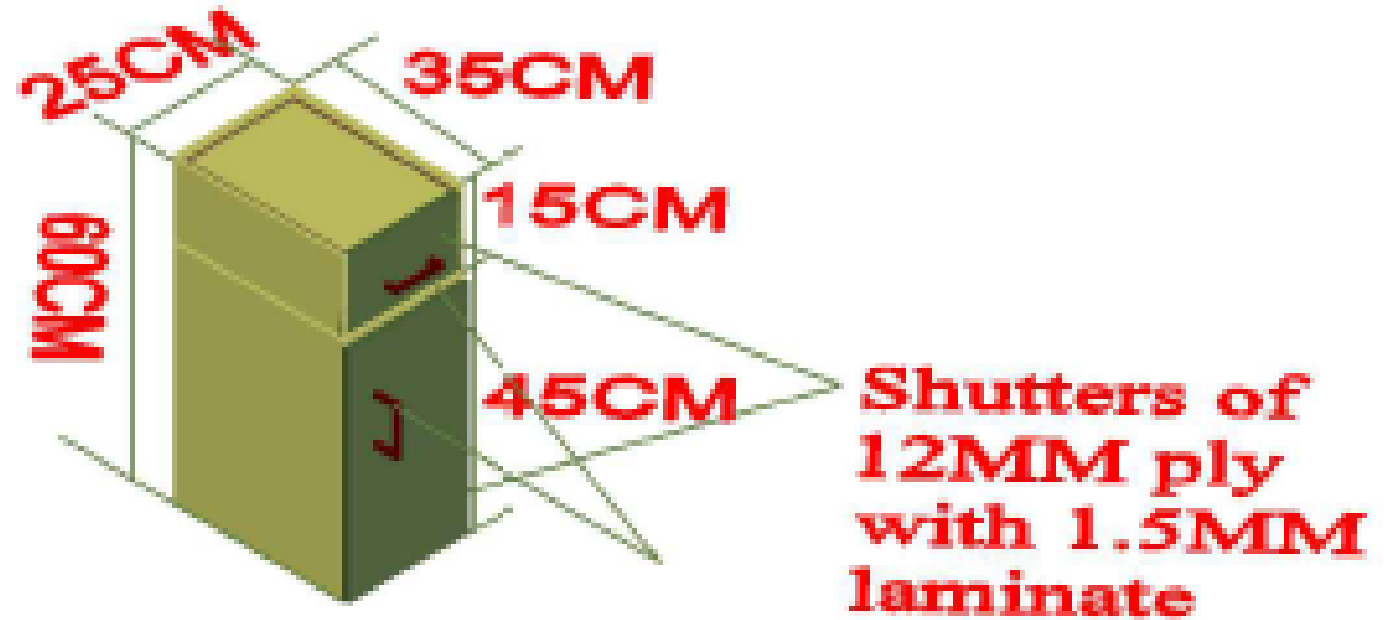
Furniture details For Call Center at Karmayogi Bhawan

Conference room Table-Item no:-3



Furniture details For Call Center at Karmayogi Bhawan

Details of cabinet 1 Item no:- 6



Furniture details For Call Center at Karmayogi Bhawan

Detail of Cabinet 2- Item no:-18